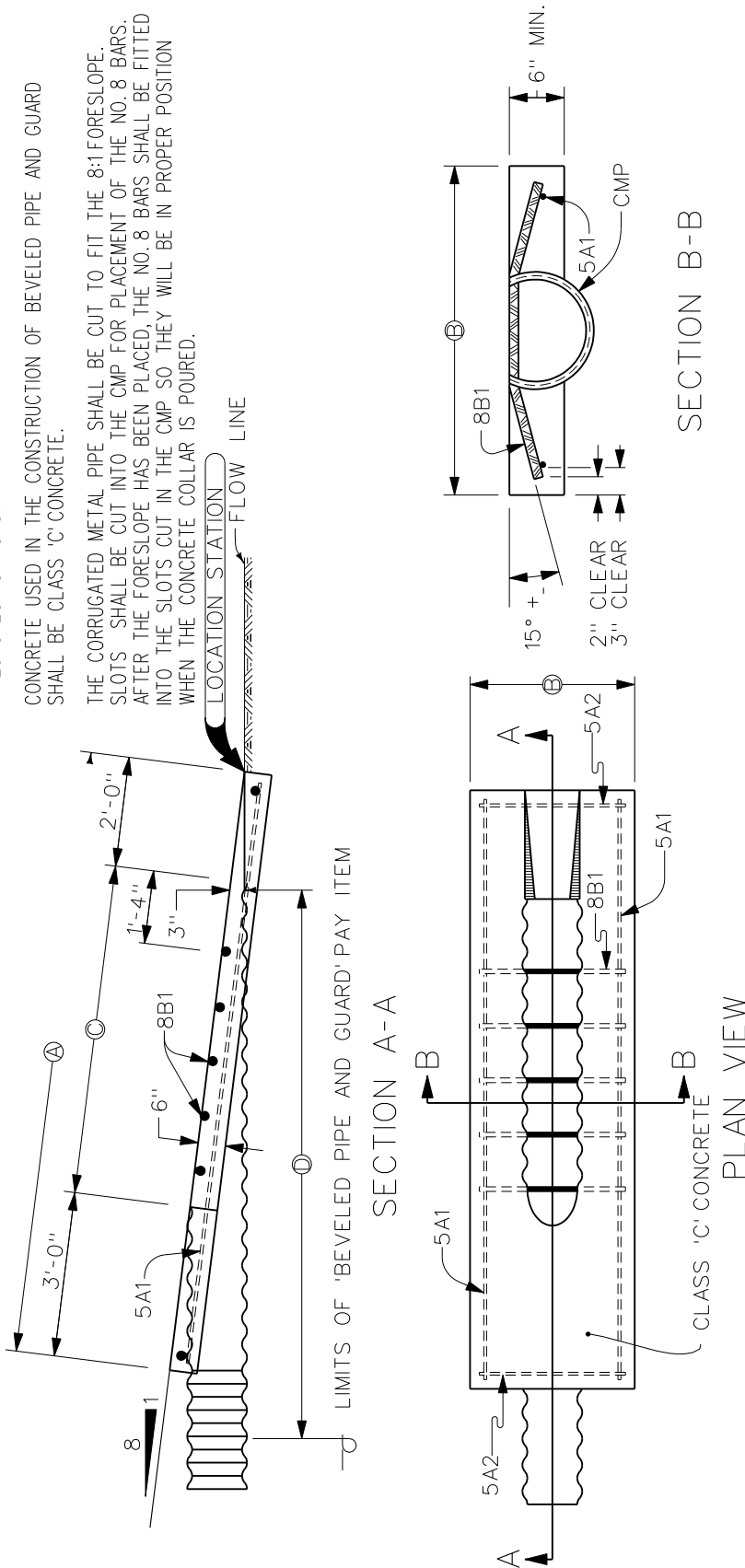


THIS IS AN ARCHIVED FIGURE AND IS NO LONGER MAINTAINED AS PART OF THE SUDAS STANDARD SPECIFICATIONS. THIS FIGURE MAY CONFLICT WITH THE CURRENT SPECIFICATIONS, AND SECTION AND FIGURE REFERENCES MAY NO LONGER BE VALID.

REINFORCING STEEL USED IN CONSTRUCTION OF "BEVELED PIPE AND GUARD" SHALL BE DEFORMED BARS MEETING THE REQUIREMENTS OF ARTICLE 4:15:1.03. ALL STEEL BARS SHALL BE HOT-DIP GALVANIZED IN ACCORDANCE WITH ASTM A 123 SPECIFICATIONS.

CONCRETE USED IN THE CONSTRUCTION OF BEVELED PIPE AND GUARD SHALL BE CLASS 'C' CONCRETE.

THE CORRUGATED METAL PIPE SHALL BE CUT TO FIT THE 8:1 FORESLOPE. SLOTS SHALL BE CUT INTO THE CMP FOR PLACEMENT OF THE NO. 8 BARS. AFTER THE FORESLOPE HAS BEEN PLACED, THE NO. 8 BARS SHALL BE FITTED INTO THE SLOTS CUT IN THE CMP SO THEY WILL BE IN PROPER POSITION WHEN THE CONCRETE COLLAR IS POURED.



SECTION B-B

REINFORCING BAR LIST

PIPE SIZE	BAR	LOCATION	SHAPE	NO.	LENGTH	LIN. FT.	WEIGHT	TOTAL WEIGHT	SPACING
12"	5A1	BASE	—	2	10'-8"	21.4	14.3	55.8	SEE DETAIL
	5A2	BASE	—	2	2'-8"	5.4	3.6		SEE DETAIL
	8B1	BASE	—	5	2'-10"	14.2	37.9	12"	
15"	5A1	BASE	—	2	12'-10"	25.7	17.2	78.8	SEE DETAIL
	5A2	BASE	—	2	2'-11"	5.9	3.9		SEE DETAIL
	8B1	BASE	—	7	3'-1"	21.6	57.7	12"	
18"	5A1	BASE	—	2	15'-0"	30.0	20.0	104.4	SEE DETAIL
	5A2	BASE	—	2	3'-2"	6.4	4.3		SEE DETAIL
	8B1	BASE	—	9	3'-4"	30.0	80.1	12"	

TABLE OF DIMENSIONS

PIPE SIZE	(A)	(B)	(C)	(D)
12"	11'-0"	3'-0"	6'-0"	10'-0"
15"	13'-2"	3'-3"	8'-2"	12'-0"
18"	15'-4"	3'-6"	10'-4"	14'-10"