

---

## 20-1 Channel Types and Structures

---

### A. Introduction

The flow of water in an open channel is a common event in Iowa, whether in a natural channel or an artificial channel. Its movement is a difficult problem when everything is considered, especially with the variability of natural channels. However, in many cases the major features can be expressed in terms of only a few variables, whose behavior can be described adequately by a simple theory. The principal forces at work are those of inertia, gravity and viscosity, each of which plays an important role.

### B. Channel types

Where open channel concepts are given approval by the Jurisdictional Engineer, the following design criteria should be used. The governing criteria for the selection of the channel type are based on the hydraulic carrying capacity of the ditch from the area runoff.

#### 1. Type I channel

- a. Width at top of ditch = 15 feet or less.
- b. Minimum radius of curvature at centerline:
  - 1) Slopes greater than 3 feet/mile – 400 feet radius
  - 2) Slopes less than 3 feet/mile – 300 feet radius
  - 3) Curve protected with rip-rap 75 feet radius
- c. Maximum side slope = 1 vertical to 3 horizontal.
- d. Minimum channel bottom = 4 feet.
- e. Maximum velocity - See Section 20-2, Tables 3 and 4.
- f. Invert protection maybe required such as a concrete lined channel (cunette).

#### 2. Type II channel

- a. Width at top of channel = 15 feet to 35 feet.
- b. Minimum radius of curvature at centerline:
  - 1) Slopes greater than 3 feet/mile – 600 feet radius
  - 2) Slopes less than 3 feet/mile – 500 feet radius
  - 3) Curve protected with rip-rap – 100 feet radius
- c. Maximum side slope = 1 vertical to 4 horizontal.
- d. Minimum channel bottom = 6 feet.
- e. Maximum velocity - See Section 20-2, Tables 3 and 4.
- f. Invert protection may be required such as a concrete lined channel (cunette).

3. **Type III channel**

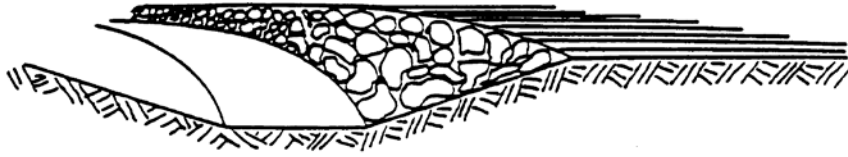
- a. Width at top of channel = 35 feet or greater.
- b. Minimum radius of curvature at centerline:
  - 1) Slopes greater than 3 feet/mile – 700 feet radius
  - 2) Slopes less than 3 feet/mile – 600 feet radius
  - 3) Curve protected with rip-rap – 200 feet radius
- c. Paved concrete channel (cunette) required. Minimum width is 6 feet.
- d. Maximum paved or riprap side slope invert = 1/1 at depth established for 2-year frequency. If nets, meshes, or geo-grids are used adjacent to a paved channel bottom (no paved or riprap side slope invert) the adjacent sideslope will not exceed 4% and have a minimum width of 2 feet on each side of the paved channel bottom. See Chapter 7, Figure 6.
- e. Maximum side slope floodway = 1 vertical to 4 horizontal.
- f. Maximum velocity in floodway - See Section 2O-2, Tables 3 and 4.

**C. Drop structures for open channel flow**

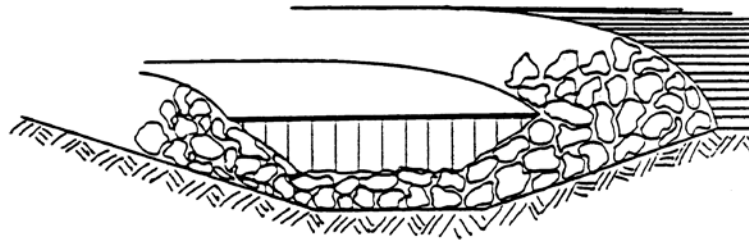
1. The use of channel drops is required when the channel would otherwise be too steep for design conditions. All drops should be designed to protect the upstream and downstream channel from erosion. Drop structure analysis may be required to determine the length of hydraulic jump and adequate erosion control measures.
2. Vertical drops should be constructed of concrete or gabions (see Figure 2 for example).
3. Sloped drops should be constructed of concrete, gabions, or rip-rap. Rip-rap drops should have a minimum of 6 inches thick gravel base and may require grouting. Engineering fabric under rip-rap may be required depending on soil conditions.
4. At drop structures, both the channel bottom and banks should be protected from erosion.

Figure 1: Sample Channel Cross-Sections

*TYPE 1 CHANNEL*



*TYPE 2 CHANNEL*



*TYPE 3 CHANNEL*

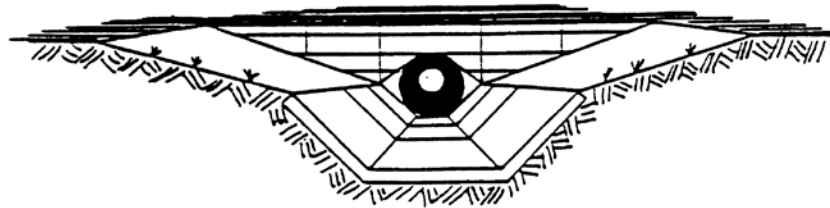
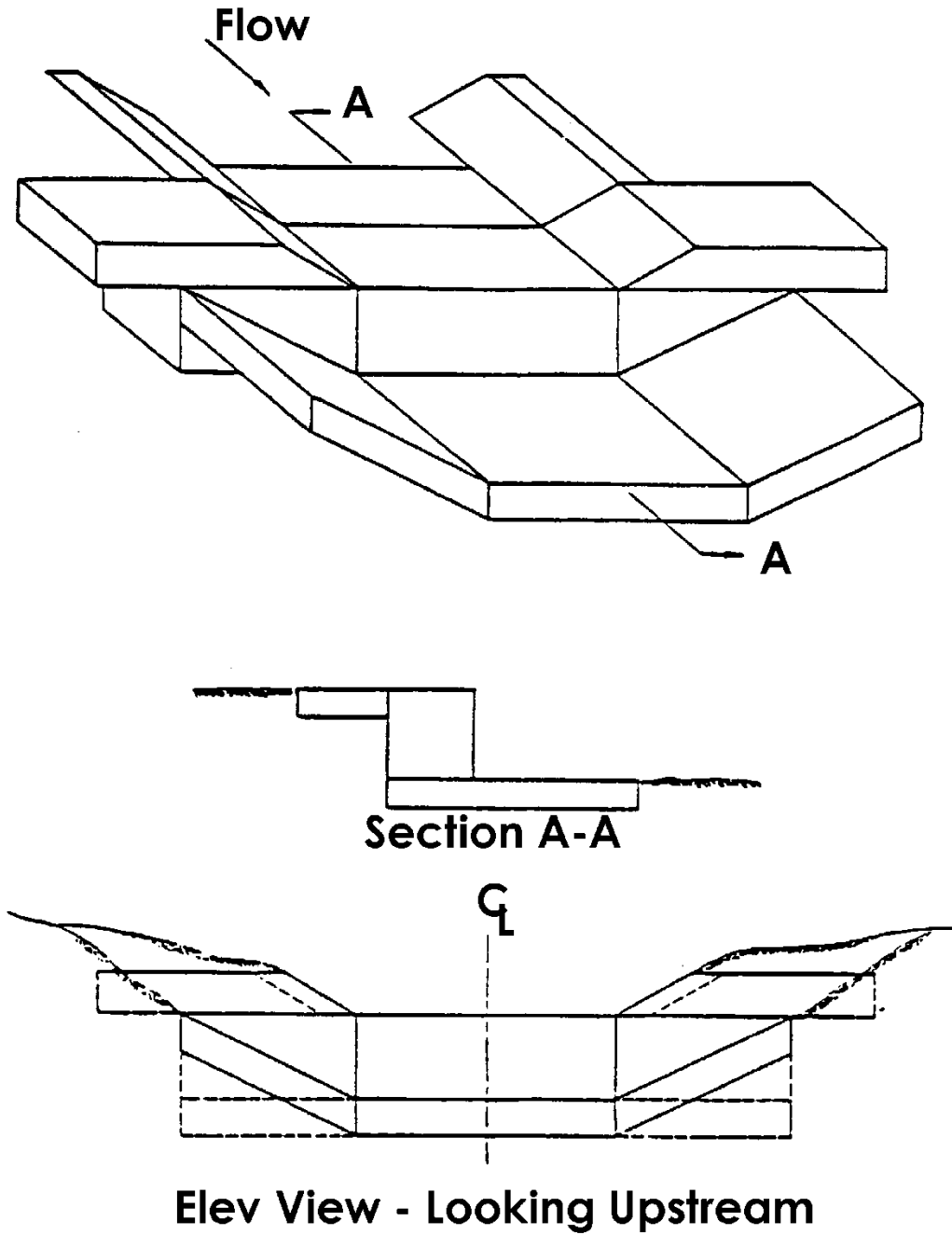


Figure 2: Example Drop Structure for Open Channel Flow



---

## 20-2 Open Channel Flow

---

### A. Introduction

The beginning of any channel design or modification is to understand the hydraulics of the stream. The procedures for performing uniform flow calculations aid in the selection or evaluation of appropriate depths and grades for natural or man-made channels. Allowable velocities are provided, along with procedures for evaluating channel capacity using Manning's equation.

All the methods described herein will be based on the conservation of mass, momentum and energy (in the form of Bernoulli's theorem), and the Manning formula for frictional resistance. Steady uniform flow and steady non-uniform flow are the types of flow addressed in this section.

### B. Definitions

**Critical flow:** The variation of specific energy with depth at a constant discharge shows a minimum in the specific energy at a depth called critical depth at which the Froude number has a value of one. Critical depth is also the depth of maximum discharge, when the specific energy is held constant.

**Froude number:** The Froude number is an important dimensionless parameter in open-channel flow. It represents the ratio of inertia forces to gravity forces. This expression for Froude number applies to any single-section channel of nonrectangular shape.

**Hydraulic jump:** Hydraulic jumps occur at abrupt transitions from supercritical to subcritical flow in the flow direction. There are significant changes in the depth and velocity in the jump, and energy is dissipated. For this reason, the hydraulic jump is often employed to dissipate energy and control erosion at stormwater management structures.

**Kinetic energy coefficient:** As the velocity distribution in a river varies from a maximum at the design portion of the channel to essentially zero along the banks, the average velocity head.

**Normal depth:** For a given channel geometry, slope, and roughness, and a specified value of discharge  $Q$ , a unique value of depth occurs in a steady uniform flow. It is called the normal depth. The normal depth is used to design artificial channels in a steady, uniform flow and is computed from Manning's equation.

**Specific energy:** Specific energy ( $E$ ) is the energy head relative to the channel bottom. If the channel is not too steep (slope less than 10%), and the streamlines are nearly straight and parallel (so that the hydrostatic assumption holds), the specific energy  $E$  becomes the sum of the depth and velocity head. The kinetic energy correction coefficient is taken to have a value of one for turbulent flow in prismatic channels but may be significantly different from one in natural channels.

**Steady and unsteady flow:** A steady flow is when the discharge passing a given cross section is constant with respect to time. When the discharge varies with time, the flow is unsteady. The maintenance of steady flow requires that the rates of inflow and outflow be constant and equal.

**Subcritical flow:** Depths of flow greater than critical depths, resulting from relatively flat slopes. Froude number is less than one. Flow of this type is most common in flat streams.

**Supercritical flow:** Depths of flow less than critical depths resulting from relatively steep slopes. Froude number is greater than one. Flow of this type is most common in steep streams.

**Total energy head:** The total energy head is the specific energy head plus the elevation of the channel bottom with respect to some datum. The curve of the energy head from one cross section to the next defines the energy grade line.

**Uniform flow and non-uniform flow:** A non-uniform flow is one in which the velocity and depth vary over distance, while they remain constant in uniform flow. Uniform flow can occur only in a channel of constant cross section, roughness, and slope in the flow direction; however, non-uniform flow can occur in such a channel or in a natural channel with variable properties.

### C. Uniform flow (Manning's equation)

1. **Manning's equation.** The normal depth is used to design artificial channels in a steady, uniform flow and is computed from Manning's equation:

$$Q = AV \tag{Equation 1}$$

$$Q = [(1.49/n)AR^{2/3}S^{1/2}] \tag{Equation 2}$$

where Q = discharge (cfs)

n = Manning's roughness coefficient (see Section 2C-3, Table 2 for n values)

A = cross-sectional area of flow (ft<sup>2</sup>)

R = hydraulic radius = A/P (ft)

P = wetted perimeter (ft)

S = channel slope (ft/ft)

V = channel velocities (see Tables 3 and 4 for permissible channel velocities)

The selection of Manning's n is generally based on observation; however, considerable experience is essential in selecting appropriate n values. If the normal depth computed from Manning's equation is greater than critical depth, the slope is classified as a mild slope, while on a steep slope, the normal depth is less than critical depth. Thus, uniform flow is subcritical on a mild slope and supercritical on a steep slope.

Strictly speaking, uniform flow conditions seldom, if ever, occur in nature because channel sections change from point to point. For practical purposes in highway engineering, however, the Manning equation can be applied to most streamflow problems by making judicious assumptions. When the requirements for uniform flow are met, the depth ( $d_n$ ) and the velocity ( $V_n$ ) are said to be normal and the slopes of the water surface and channel are parallel. For practical purposes, in open channel design, minor undulations in streambed or minor deviations from the mean (average) cross-section can be ignored as long as the mean slope of the channel can be represented as a straight line.

The Manning equation can readily be solved either graphically or mathematically for the average velocity in a given channel if the normal depth is known, because the various factors in the equation are known or can be determined (the hydraulic radius can be computed from the normal depth in a given channel). Discharge ( $Q$ ) is then the product of the velocity and the area of flow ( $A$ ).

2. **Continuity equation.** The continuity equation is the statement of conservation of mass in fluid mechanics. For the special case of steady flow of an incompressible fluid, it assumes the simple form:

$$Q = A_1 V_1 = A_2 V_2 \quad \text{Equation 3}$$

where  $Q$  = discharge (cfs)

$A$  = flow cross-sectional area ( $\text{ft}^2$ )

$V$  = mean cross-sectional velocity (ft/s) (which is perpendicular to the cross section)

The subscripts 1 and 2 refer to successive cross sections along the flow path. The continuity equation can be used with Manning's equation to obtain steady uniform flow velocity as:

$$V = Q / A = [(1.49 / n) R^{2/3} S^{1/2}] \quad \text{Equation 4}$$

## D. Energy flow

Flowing water contains energy in two forms, potential and kinetic. The potential energy at a particular point is represented by the depth of the water plus the elevation of the channel bottom above a convenient datum plane. The kinetic energy, in feet, is represented by the velocity head:

$$\text{Kinetic energy} = \frac{V^2}{2g} \quad \text{Equation 5}$$

In channel flow problems it is often desirable to consider the energy content with the channel bottom. This is called the specific energy or specific head and is equal to the depth of water plus the velocity head:

$$\text{Specific energy} = d + \frac{V^2}{2g} \quad \text{Equation 6}$$

At other times it is desirable to use the total energy content (total head), which is the specific head plus the elevation of the channel bottom above a selected datum. For example, total head may be used in applying the energy equation, which states that the total head (energy) at one point in a channel carrying a flow of water is equal to the total head (energy) at any point downstream plus the energy (head) losses occurring between the two points. The energy (Bernoulli) equation is usually written:

$$d_1 + \frac{V_1^2}{2g} + Z_1 = d_2 + \frac{V_2^2}{2g} + Z_2 + h_{\text{loss}} \quad \text{Equation 7}$$

In this equation, cross-section 2 (subscript 2) is downstream from cross-section 1 (subscript 1),  $Z$  is the elevation of channel bottom, and  $h_{\text{loss}}$  represents loss of head between cross-sections 1 and 2. A convenient way of showing specific head is to plot the water surface and the specific head lines above a profile of the channel bottom (See Figure 1).

Note in Figure 1 that the line obtained by plotting velocity head above the water surface is the same line as that obtained by plotting specific head above the channel bottom. This line represents the total energy, potential and kinetic, of the flow in the channel, and is called the “total head line” or “total energy line.”

The slope (gradient) of the energy line is a measure of the friction slope or rate of energy head loss due to friction. Under uniform flow, the energy line is parallel to the water surface and to the streambed. For flow to occur in a channel, the total head or energy line must slope negatively (downward) in the direction of flow.

Figure 1: Channel Flow Terms

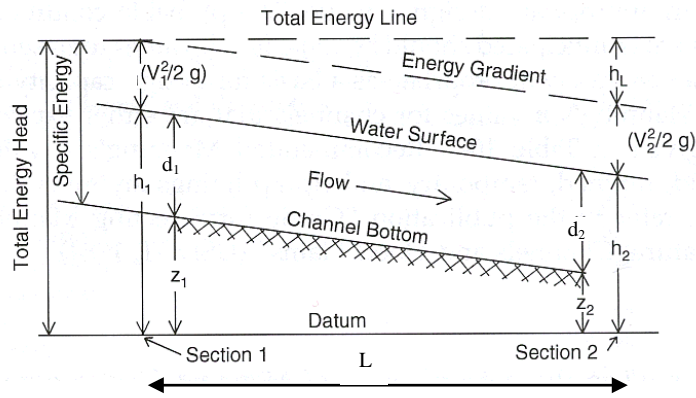
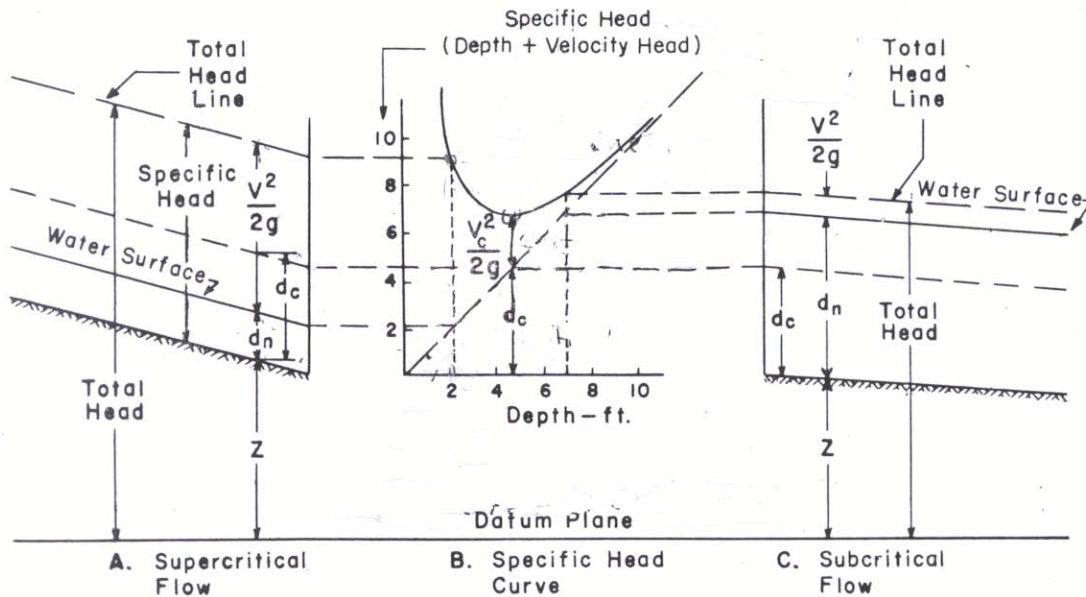


Figure 2: Definition Sketch of Specific Head



1. **Critical flow.** The relative values of the potential energy (depth) and the kinetic energy (velocity head) are important in the analysis of open-channel flow. Consider, for example, the relation of the specific head,  $d + \frac{V^2}{2g}$ , and the depth of a given discharge in a given channel that can be placed on various slopes. Plotting values of specific head as ordinates and of the corresponding depth as abscissa will result in a specific-head curve such as that shown in Figure 2 (B). The straight diagonal line is drawn through points where depth and specific head are equal. The line thus represents the potential energy, and the ordinate interval between this line and the specific head curve is the velocity head for the particular depth. A change in the discharge or in the channel size or shape will change the position of the curve, but its general shape and location above and to the left of the diagonal line will remain the same.

Note that the ordinate at any point on the specific head curve represents the total specific energy at that point. The lowest point on the curve represents flow with the minimum energy content. The depth at this point is known as critical depth ( $d_c$ ) and the corresponding velocity is the critical velocity ( $V_c$ ). With uniform flow, the channel slope at which critical depth occurs is known as the critical slope ( $S_c$ ). The magnitude of critical depth depends only on the discharge and the shape of the channel, and is independent of the slope or channel roughness. Thus, in any given size and shape of channel, there is only one critical depth for a particular discharge. Critical depth is an important value in hydraulic analysis because it is a control in reaches of non-uniform flow whenever the flow changes from subcritical to supercritical.

Typical occurrences of critical depths are:

- a. Entrance to a restrictive channel, such as a culvert or flume, on a steep slope
  - b. At the crest of an overflow dam or weir
  - c. At the outlet of a culvert or flume discharging with a free fall or into a relatively wide channel or a pond in which the depth is not enough to submerge critical depth in the culvert or flume.
2. **Critical depth calculations**
- a. The general equation for determining critical depths on the discharge rate and channel geometry is:

$$\frac{Q^2}{g} = \frac{A^3}{T} \qquad \text{Equation 8}$$

where Q = discharge rate for design conditions (cfs)  
 g = acceleration due to gravity (32.2 ft/s<sup>2</sup>)  
 A = cross-sectional area (ft<sup>2</sup>)  
 T = top width of water surface (ft)

A trial and error procedure is needed to solve Equation 7. The following guidelines are presented for evaluating critical flow conditions of open channel flow:

- 1) A normal depth of uniform flow within about 10% of critical depth is unstable (relatively large depth changes are likely for small changes in roughness, cross-sectional area, or slope) and should be avoided in design, if possible.
- 2) If the velocity head is less than one-half the mean depth of flow, the flow is subcritical.

- 3) If the velocity head is equal to one-half the mean depth of flow, the flow is critical.
  - 4) If the velocity head is greater than one-half the mean depth of flow, the flow is supercritical.
  - 5) If an unstable critical depth cannot be avoided in design, the least favorable type of flow should be assumed for the design.
- b. The Froude number, Fr, calculated by the flowing equation, is useful for evaluating the type of flow conditions in an open channel:

$$Fr = V / (gA/T)^{0.5} \qquad \text{Equation 9}$$

where Fr = Froude number (dimensionless)

V = velocity of flow (ft/s)

g = acceleration of gravity (32.2 ft/s<sup>2</sup>)

A = cross-sectional area of flow (ft<sup>2</sup>)

T = top width of flow (ft)

If Fr is greater than 1.0, flow is supercritical; if it is under 1.0, flow is subcritical. Fr is 1.0 for critical flow conditions.

3. **Critical slope.** Critical slope is that channel slope for a particular channel and discharge, at which the normal depth for uniform flow will be the same as the critical depth. Critical slope varies with both the roughness and geometric shape of the channel and with the discharge. For large circular cross-section pipes, and for pipe-arch and oval pipe sections, a direct reading can be made on the part-full flow charts for critical depth, specific head, and critical slope (for certain values of n).
4. **Supercritical flow.** Points on the left of the flow point of the specific head curve [Figure 2 (B)] are for channel slopes steeper than critical (supercritical or steep slopes), and indicate relatively shallow depths and high velocities [Figure 2 (A)]. Such flow is called supercritical flow. It is difficult to handle because violent wave action occurs when either the direction of flow or the cross-section is changed. Flow of this type is common in steep streams. In supercritical flow, the depth of flow at any point is influenced by a control upstream, usually critical depth.
5. **Subcritical flow.** Points on the right of the low point of the specific head curve [Figure 2 (B)] are for slopes flatter than critical (subcritical or mild slopes) and indicate relatively large depths with low velocities [Figure 2 (C)]. Such flow is called subcritical flow. It is relatively easy to handle through transitions because the wave actions are tranquil. In subcritical flow, the depth at any point is influenced by a downstream control, which may be either critical depth or the water surface elevation in a pond or larger downstream channel. Figures 2 (A) and 2 (C) indicate the relationship of supercritical and subcritical flows, respectively, to the specific head curve.

## E. Non-uniform flow<sup>1</sup>

Flow that varies in depth and velocity along the channel is called non-uniform. Truly uniform flow rarely exists in either natural or man-made channels, because changes in channel section, slope, or roughness cause the depths and average velocities of flow to vary from point to point along the channel, and the water surfaces will not be parallel to the streambed. Although moderate non-uniform flow actually exists in a generally uniform channel, it is usually treated as uniform flow in such cases. Uniform flow characteristics can readily be computed and the computed values are

---

<sup>1</sup> *Design Charts for Open Channel Flow.* Bureau of Public Roads, 1961.

usually close enough to the actual for all practical purposes. The types of non-uniform flow are innumerable, but certain characteristic types are more common.

With subcritical flow, a change in channel shape, slope, or roughness affects the flow for a considerable distance upstream, and thus the flow is said to be under downstream control. If an obstruction, such as a culvert, causes ponding, the water surface above the obstruction will be a smooth curve asymptotic to the normal water surface upstream and to the pool level downstream (See Figure 3).

Another example of downstream control occurs where an abrupt channel enlargement, as at the end of a culvert not flowing full, or a break in grade from a mild to a steep slope, causes a drawdown in the flow profile to critical depth. The water surface profile upstream from a change in section or a break in channel slope will be asymptotic to the normal water surface upstream, but will drop away from the normal water surface on approaching the channel change or break in slope. In these two examples, the flow is non-uniform because of the changing water depth caused by changes in the channel slope or channel section. Direct solution of open-channel flow by the Manning equation or by the charts in this section is not possible in the vicinity of the changes in the channel section or channel slope. With supercritical flow, a change in the channel shape, slope, or roughness cannot be reflected upstream except for very short distances. However, the change may affect the depth of flow at downstream points; thus, the flow is said to be under upstream control.

Most problems in highway drainage do not require the accurate computation of water surface profiles. However, the designer should know that the depth in a given channel may be influenced by conditions either upstream or downstream, depending on whether the slope is steep (supercritical) or mild (subcritical).

Figure 3 shows a channel on a mild slope, discharging into a pool. The vertical scale is exaggerated to illustrate the case more clearly. Cross-section 1 is located at the end of uniform channel flow in the channel and cross-section 2 is located at the beginning of the pool. Depth 2 is located at the beginning of the pool. The depth of flow ( $d$ ) between sections 1 and 2 is changing and the flow is non-uniform. The water surface profile between the sections is known as backwater curve and is characteristically very long.

**Figure 3:** Water Surface Profile in Flow from a Channel to a Pool

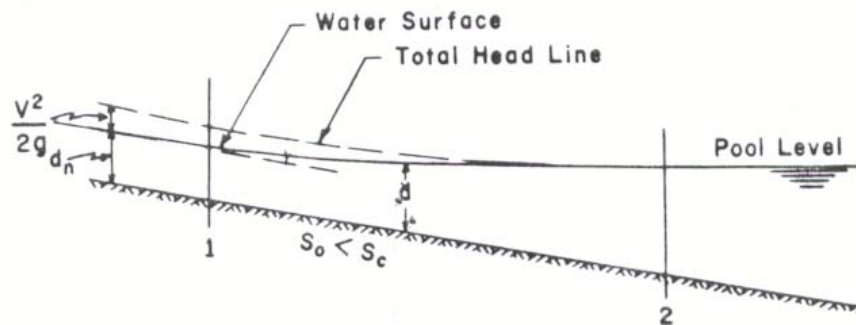


Figure 4 shows a channel in which the slope changes from subcritical to supercritical. The flow profile passes through critical depth near the break in slope (section 1). This is true whether the upstream slope is mild, as in the sketch, or whether the water above section 1 is ponded, as would be the case if section 1 were the crest of the spillway of a dam. If, at section 2, the total head were computed, assuming normal depth on the steep slope, it would plot (point a on the sketch) above the elevation of the total head at section 1. This is physically impossible, because the total head line must slope downward in the direction of flow. The actual total head line will take the position shown, and have a slope approximately equal to  $S_c$  at section 1 and approaching slope  $S_0$  farther downstream. The drop in the total head line  $h_f$  between sections 1 and 2 represents the loss in energy due to friction. At section 2 the actual depth  $d_2$  is greater than  $d_n$  because sufficient acceleration has not occurred and the assumption of normal depth at this point would clearly be in error. As section 2 is moved downstream so that total head for the normal depth drops below the pool elevation above section 1, the actual depth quickly approaches the normal depth for the steep channel. This type of water surface curve (section 1 to section 2) is characteristically much shorter than the backwater curve discussed in the previous paragraph.

Another common type of non-uniform flow is the drawdown curve to critical depth which occurs upstream from section 1 (Figure 4) where the water surface passes through the critical depth. The depth gradually increases upstream from critical depth to normal depth, provided the channel remains uniform through a sufficient length. The length of the drawdown curve is much longer than the curve from critical depth to normal depth in a steep channel.

**Figure 4:** Water Surface Profile in Changing from Subcritical to Supercritical Channel Slope

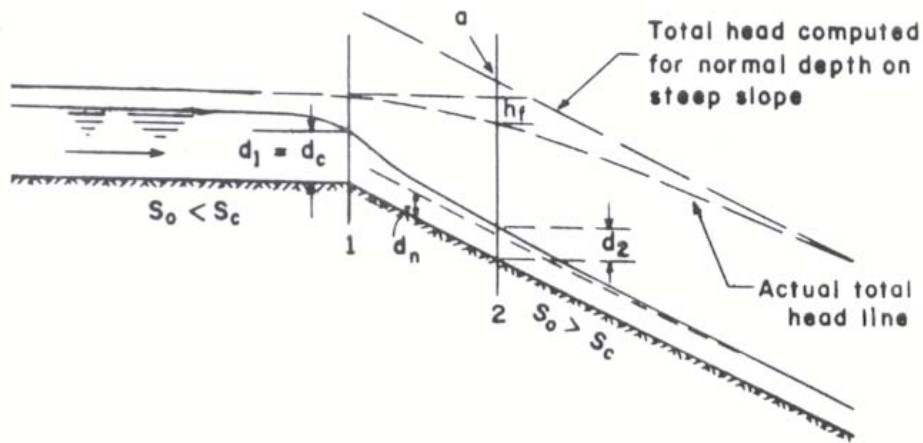
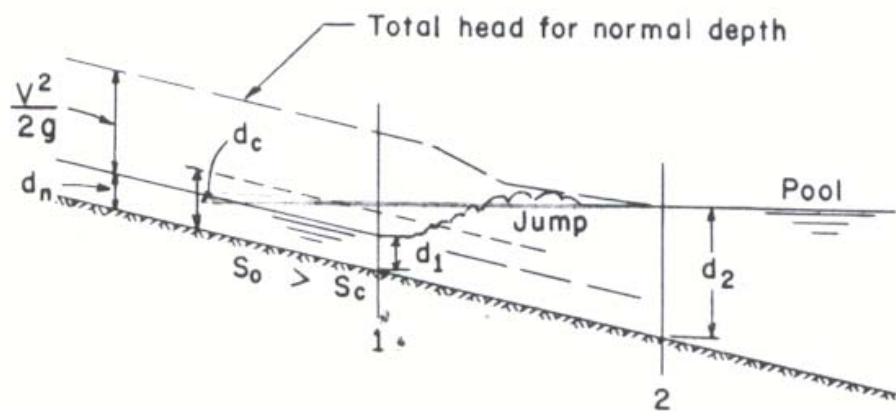


Figure 5 shows a special case for a steep channel discharging into a pool. A hydraulic jump makes a dynamic transition from the supercritical flow in a pool. This situation differs from that shown in Figure 3 because the flow approaching the pool in Figure 5 is supercritical and the total head in the approach channel is large relative to the pool depth. In general, the supercritical flow can be changed to subcritical flow only by passing through a hydraulic jump. The violent turbulence in the jump dissipates energy rapidly, causing a sharp drop in the total head line between the supercritical and subcritical states of flow. A jump will occur whenever the ratio of the depth  $d_1$  in the approach channel to the depth  $d_2$  in the downstream channel reaches a specific value. Note in Figure 5 that normal depth in the approach channel persists well beyond the point where the projected pool level would intersect the water surface of the channel at normal depth. Normal depth can be assumed to exist on the steep slope upstream from section 1, which is located about at the toe of the jump.

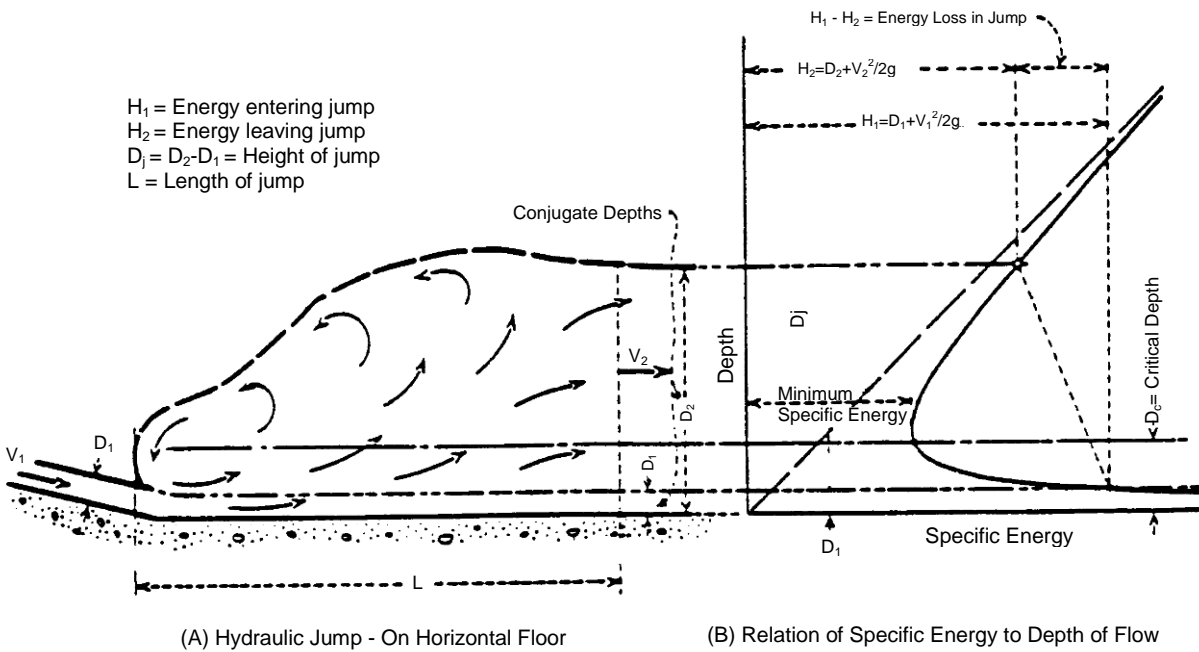
**Figure 5:** Water Surface Profile Illustrating Hydraulic Jump



## F. Hydraulic jump

1. **General.** The hydraulic jump consists of an abrupt rise of the water surface in the region of impact between rapid and tranquil flows. Flow depths before (supercritical depth,  $d_1$ ) and after (subcritical depth,  $d_2$ ) the jump are less than and greater than critical depth, respectively. The depth  $d_1$  is calculated based on the hydraulics of the channel. The depth  $d_2$  is calculated as shown in part 2. The zone of impact of the jump is accompanied by large-scale turbulence, surface waves, and energy dissipation. The hydraulic jump in a channel may occur at locations such as:
  - a. The vicinity of a break in grade where the channel slope decreases from steep to mild.
  - b. A short distance upstream from channel constrictions such as those caused by bridge piers.
  - c. A relatively abrupt converging transition.
  - d. A channel junction where rapid flow occurs in a tributary channel and tranquil flow in the main channel.
  - e. Long channels where high velocities can no longer be sustained on a mild slope.

Figure 6: Hydraulic Jump and Depth of Flow



- Hydraulic jump computations for depth of flow ( $d_2$ ).** The formula for the hydraulic jump is obtained by equating the unbalanced forces acting to retard the mass of flow to the rate of change of the momentum of flow. When the slope is small ( $\cos \theta \approx 1$ ,  $\sin \theta \approx 0$ ) the general formula for this relationship is given as:

$$V_1^2 = g \left( \frac{a_2 \bar{y}_2 - a_1 \bar{y}_1}{a_1 \left( 1 - \frac{a_1}{a_2} \right)} \right) \tag{Equation 9}$$

where  $V_1$  = the velocity before the jump  
 $a_1$  and  $a_2$  = the areas before and after the jump, respectively  
 $\bar{y}_1$  and  $\bar{y}_2$  = the corresponding depths from water surface to the center of gravity of the cross-section

Since the terms  $\bar{y}_1$  and  $\bar{y}_2$  refer to the center of gravity of the cross section, solving for the depth,  $d_2$ , after the jump depends on the geometry of the channel.

- a. **Trapezoidal channel.** For trapezoidal channels with slopes sufficiently small, Equation 9 can be arranged into a dimensionless form which permits solution by means of a table. The following dimensionless ratios are employed.

$$z = \frac{e}{d} = \text{Side slope of channel, horizontal to vertical}$$

$$x_1 = \frac{d_1}{H_1} = \text{depth before jump / energy head before the jump}$$

$$x_2 = \frac{d_2}{H_1} = \text{depth after jump / energy head before the jump}$$

where

$$H_1 = d_1 + \frac{V_1^2}{2g} = \text{Energy head before jump}$$

Numerical values of  $x_2 = d_2/H_1$  have been tabulated for various values of  $x_1 = d_1/H_1$  and  $zH_1/b$  ( $b$  is bottom width of channel) in Table 1 (Table 8.13 from the "Handbook of Hydraulics", King & Brater).

**Table 1: Depth after Hydraulic Jump for Trapezoidal Channels**

$D_1$  = depth before jump;  $z$  = side slope of channel, horizontal to vertical;  
 $H_1$  = energy head before jump;  $b$  = bottom width of channel. Figures in  
top row multiplied by  $H_1$  give higher stage of equal energy. Figures in  
bottom row multiplied by  $H_1$  give depth after jump. First column is for  
rectangular channels. Last column is for triangular channels.

$\frac{D_1}{X_1=H_1}$	$\frac{ZH_1}{b}$												
	0	0.1	0.2	0.3	0.4	0.5	0.6	0.7	0.8	0.9	1.0	10	$\infty$
.05	.99 .41	.99 .41	.40	.39	.39	.38	.38	.37	.37	.36	.36	.31	.24
.10	.99 .56	.99 .55	.99 .55	.99 .54	.99 .53	.99 .53	.99 .52	.99 .52	.99 .51	.99 .51	.99 .50	.42	.37
.15	.98 .65	.98 .64	.99 .64	.99 .63	.99 .62	.99 .62	.99 .61	.99 .61	.99 .61	.99 .60	.99 .60	.52	.48
.20	.97 .71	.97 .70	.98 .70	.98 .69	.98 .69	.98 .69	.99 .68	.99 .68	.99 .68	.98 .67	.99 .67	.60	.56
.25	.95 .75	.95 .75	.96 .74	.97 .74	.97 .74	.97 .73	.98 .73	.98 .73	.98 .73	.98 .73	.98 .72	.99 .66	.63
.30	.92 .78	.93 .78	.94 .78	.95 .78	.95 .77	.96 .77	.97 .77	.97 .77	.97 .77	.97 .77	.97 .77	.99 .72	.69
.35	.90 .79	.91 .80	.92 .80	.93 .80	.94 .80	.94 .80	.95 .80	.95 .80	.95 .80	.95 .80	.96 .80	.98 .76	.99 .76
.40	.87 .80	.89 .80	.90 .81	.91 .81	.92 .81	.92 .82	.93 .82	.93 .82	.94 .82	.94 .82	.95 .82	.98 .80	.99 .79
.45	.84 .80	.86 .80	.87 .81	.88 .82	.89 .82	.90 .83	.91 .83	.91 .83	.92 .83	.92 .83	.93 .83	.97 .84	.98 .83
.50	.81 .78	.83 .79	.85 .80	.86 .80	.87 .81	.87 .82	.88 .83	.89 .83	.90 .83	.90 .84	.91 .84	.96 .86	.97 .85
.55	.77 .76	.79 .77	.81 .78	.82 .79	.83 .80	.85 .81	.86 .82	.87 .83	.87 .83	.88 .83	.88 .84	.94 .87	.95 .87
.60	.73 .73	.73 .74	.77 .76	.79 .77	.80 .79	.82 .80	.82 .81	.83 .81	.84 .82	.85 .82	.85 .83	.92 .87	.93 .88
.65	.69 .69	.71 .71	.73 .73	.74 .74	.76 .76	.78 .77	.79 .78	.80 .79	.81 .80	.81 .80	.82 .81	.89 .87	.91 .88
.70	...	...	...	...	.72 .72	.73 .73	.74 .74	.75 .75	.76 .76	.77 .77	.78 .78	.86 .85	.88 .87
.75	...	...	...	...	...	...	...	...	...	...	...	.83 .83	.85 .84
D.	.67	.68	.69	.70	.71	.72	.72	.73	.73	.74	.74	.79	.80

- b. **Rectangular channels.** For rectangular channels with slopes sufficiently small, ( $\cos \approx 1$ ,  $\sin \approx 0$ ) Equation 10 has been arranged into a dimensionless form and the Froude number has been introduced.

$$\frac{d_2}{d_1} = -\frac{1}{2} \left( \sqrt{1 + 8(F_1^2)} - 1 \right) \quad \text{Equation 11}$$

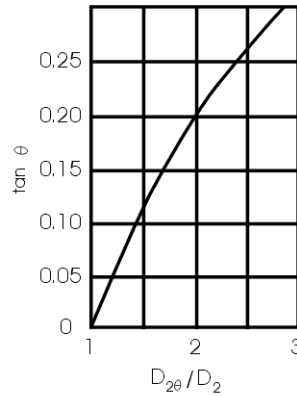
Where:

$$F_1 = \frac{V_1}{\sqrt{gd_1}}$$

The value of  $d_2$  can be solved directly, or Table 2 (Table 8.14 from the "Handbook of Hydraulics", King & Barter) which lists the values of  $d_2$  corresponding to various values of  $d_1$  and  $V_1$  may be used.

- c. **Adjustment in hydraulic depth for sloping channels.** When the slope is steep, Equation 10 does not apply. The U.S. Bureau of Reclamation has published information on the depth after the jump in sloping channels ( $d_{2\theta}$ ) based on their own tests together with those of other investigators. They found that the downstream depth  $d_{2\theta}$  exceeded that computed for channels of small slope  $d_2$ , by an amount that varied with the slope of the bottom,  $\tan \theta$ . This curve is reproduced in Figure 7. In order to use this curve,  $d_2$  is computed using the methods listed above, and then the downstream depth for a particular value of  $\tan \theta$  is computed by using the value of  $d_{2\theta}/d_2$  from Figure 7. This method applies only for cases in which the entire jump occurs on one bottom slope. It is probable that Figure 7 would also serve as a rough approximation for channels other than rectangular.

**Figure 7:** Depth after Jump in Sloping Channels



**Table 2:** Depth after Hydraulic Jump for Rectangular Cross Section

OPEN CHANNELS WITH NON-UNIFORM FLOW

D <sub>1</sub>	VELOCITY V <sub>1</sub> , FPS									
	5	6	7	8	9	10	11	12	13	14
Ft										
.1	.35	.43	.50	.58	.66	.74	.82	.90	.98	1.06
.2	.47	.58	.69	.80	.91	1.02	1.13	1.24	1.35	1.46
.3	.55	.68	.82	.95	1.09	1.22	1.36	1.50	1.63	1.77
.4	.61	.77	.92	1.08	1.23	1.39	1.55	1.70	1.86	2.02
.5	.67	.84	1.01	1.18	1.36	1.53	1.71	1.88	2.06	2.23
.6	.71	.90	1.09	1.27	1.46	1.66	1.85	2.04	2.23	2.42
.7	.75	.95	1.15	1.36	1.56	1.77	1.97	2.18	2.38	2.59
.8	.79	1.00	1.21	1.43	1.65	1.87	2.09	2.31	2.53	2.75
.9	...	1.04	1.27	1.50	1.73	1.96	2.19	2.42	2.66	2.89
1.0	...	1.08	1.32	1.56	1.80	2.04	2.29	2.53	2.78	3.03
1.1	...	1.12	1.37	1.62	1.87	2.12	2.38	2.63	2.89	3.15
1.2	...	...	1.41	1.67	1.93	2.20	2.46	2.73	3.00	3.27
1.3	...	...	1.45	1.72	1.99	2.27	2.54	2.82	3.10	3.38
1.4	...	...	1.48	1.76	2.05	2.33	2.62	2.91	3.20	3.49
1.5	...	...	1.52	1.81	2.10	2.40	2.69	2.99	3.29	3.59
1.6	...	...	...	1.85	2.15	2.46	2.76	3.07	3.38	3.69
1.7	...	...	...	1.89	2.20	2.51	2.83	3.14	3.46	3.78
1.8	...	...	...	1.93	2.25	2.57	2.89	3.21	3.54	3.87
1.9	...	...	...	1.96	2.29	2.62	2.95	3.28	3.62	3.96
2.0	...	...	...	2.00	2.33	2.67	3.01	3.35	3.69	4.04
2.1	...	...	...	...	2.37	2.72	3.07	3.42	3.77	4.12
2.2	...	...	...	...	2.41	2.76	3.12	3.48	3.84	4.19
2.3	...	...	...	...	2.45	2.81	3.17	3.54	3.90	4.27
2.4	...	...	...	...	2.48	2.85	3.22	3.60	3.97	4.34
2.5	...	...	...	...	2.52	2.89	3.27	3.65	4.03	4.41
2.6	...	...	...	...	...	2.93	3.32	3.71	4.09	4.48
2.7	...	...	...	...	...	2.97	3.37	3.76	4.15	4.54
2.8	...	...	...	...	...	3.01	3.41	3.81	4.21	4.61
2.9	...	...	...	...	...	3.04	3.45	3.86	4.26	4.67
3.0	...	...	...	...	...	3.08	3.49	3.90	4.31	4.73
3.1	...	...	...	...	...	3.11	3.53	3.95	4.37	4.79
3.2	...	...	...	...	...	...	3.57	3.99	4.42	4.85
3.3	...	...	...	...	...	...	3.61	4.04	4.47	4.91
3.4	...	...	...	...	...	...	3.65	4.08	4.52	4.96
3.5	...	...	...	...	...	...	3.68	4.12	4.57	5.01
3.6	...	...	...	...	...	...	3.72	4.16	4.61	5.07
3.7	...	...	...	...	...	...	3.75	4.20	4.66	5.12
3.8	...	...	...	...	...	...	3.79	4.24	4.70	5.17
3.9	...	...	...	...	...	...	...	4.28	4.75	5.22
4.0	...	...	...	...	...	...	...	4.32	4.79	5.27
4.1	...	...	...	...	...	...	...	4.35	4.83	5.31
4.2	...	...	...	...	...	...	...	4.39	4.87	5.36
4.3	...	...	...	...	...	...	...	4.43	4.91	5.41
4.4	...	...	...	...	...	...	...	4.46	4.95	5.45
4.5	...	...	...	...	...	...	...	4.50	4.99	5.50
4.6	...	...	...	...	...	...	...	...	5.03	5.54
4.7	...	...	...	...	...	...	...	...	5.07	5.58
4.8	...	...	...	...	...	...	...	...	5.11	5.62
4.9	...	...	...	...	...	...	...	...	5.14	5.66
5.0	...	...	...	...	...	...	...	...	5.18	5.70

**Table 2:** Depth after Hydraulic Jump for Rectangular Cross Section (Continued)

D <sub>1</sub>	V <sub>1</sub>									
	15	20	25	30	35	40	45	50	55	60
.1	1.13	1.53								
.2	1.58	2.13	2.69							
.3	1.90	2.59	3.27							
.4	2.17	2.96	3.75	4.54						
.5	2.41	3.29	4.17	5.05						
.6	2.61	3.58	4.54	5.50						
.7	2.80	3.84	4.88	5.92	6.96					
.8	2.97	4.08	5.19	6.30	7.41					
.9	3.13	4.31	5.48	6.66	7.84					
1.0	3.27	4.51	5.75	7.00	8.24	9.49	10.73	11.98	13.23	14.47
1.1	3.41	4.71	6.01	7.32	8.62	9.93	11.23	12.54	13.85	15.15
1.2	3.55	4.90	6.25	7.62	8.98	10.34	11.71	13.07	14.44	15.80
1.3	3.67	5.07	6.48	7.90	9.32	10.74	12.16	13.58	15.00	16.42
1.4	3.79	5.24	6.71	8.18	9.65	11.12	12.60	14.07	15.54	17.02
1.5	3.90	5.40	6.92	8.44	9.97	11.49	13.01	14.54	16.06	17.59
1.6	4.00	5.56	7.13	8.70	10.27	11.84	13.42	14.99	16.57	18.14
1.7	4.10	5.71	7.32	8.94	10.56	12.18	13.81	15.43	17.05	18.68
1.8	4.20	5.85	7.51	9.18	10.84	12.51	14.18	15.85	17.52	19.19
1.9	4.29	5.99	7.70	9.41	11.12	12.83	14.55	16.26	17.98	19.70
2.0	4.38	6.12	7.87	9.63	11.38	13.14	14.90	16.66	18.42	20.18
2.1	4.47	6.25	8.04	9.84	11.64	13.45	15.25	17.05	18.85	20.66
2.2	4.56	6.38	8.21	10.05	11.89	13.74	15.58	17.43	19.27	21.12
2.3	4.64	6.50	8.38	10.26	12.14	14.02	15.91	17.80	19.68	21.57
2.4	4.72	6.62	8.53	10.45	12.38	14.30	16.23	18.15	20.08	22.01
2.5	4.80	6.73	8.69	10.65	12.61	14.57	16.54	18.50	20.47	22.44
2.6	4.87	6.85	8.84	10.83	12.83	14.84	16.84	18.85	20.85	22.86
2.7	4.94	6.96	8.98	11.02	13.05	15.10	17.14	19.18	21.23	23.27
2.8	5.01	7.06	9.13	11.20	13.27	15.35	17.43	19.51	21.59	23.67
2.9	5.08	7.17	9.27	11.37	13.48	15.60	17.72	19.83	21.95	24.07
3.0	5.15	7.27	9.40	11.54	13.69	15.84	18.00	20.15	22.30	24.46
3.1	5.22	7.37	9.54	11.72	13.90	16.08	18.27	20.46	22.65	24.84
3.2	5.28	7.47	9.67	11.88	14.10	16.32	18.54	20.76	22.99	25.22
3.3	5.34	7.56	9.80	12.04	14.29	16.55	18.80	21.06	23.32	25.58
3.4	5.41	7.65	9.92	12.20	14.48	16.77	19.06	21.35	23.65	25.94
3.5	5.47	7.74	10.04	12.35	14.67	16.99	19.32	21.64	23.97	26.30
3.6	5.53	7.83	10.17	12.51	14.86	17.21	19.57	21.93	24.29	26.65
3.7	5.58	7.92	10.28	12.66	15.04	17.43	19.82	22.21	24.60	26.99
3.8	5.64	8.01	10.40	12.81	15.22	17.64	20.06	22.48	24.90	27.33
3.9	5.69	8.09	10.52	12.96	15.40	17.85	20.30	22.75	25.20	27.66
4.0	5.75	8.17	10.63	13.10	15.57	18.05	20.53	23.02	25.50	27.99
4.1	5.80	8.26	10.74	13.24	15.74	18.25	20.76	23.28	25.80	28.31
4.2	5.85	8.34	10.85	13.38	15.91	18.45	20.99	23.54	26.09	28.64
4.3	5.90	8.41	10.96	13.51	16.07	18.65	21.22	23.79	26.37	28.95
4.4	5.95	8.49	11.06	13.65	16.24	18.84	21.44	24.05	26.65	29.26
4.5	6.00	8.57	11.17	13.78	16.40	19.03	21.66	24.30	26.93	29.57
4.6	6.05	8.64	11.27	13.91	16.56	19.22	21.88	24.54	27.21	29.87
4.7	6.10	8.72	11.37	14.04	16.72	19.41	22.09	24.78	27.48	30.17
4.8	6.15	8.79	11.47	14.17	16.87	19.59	22.30	25.02	27.75	30.47
4.9	6.19	8.86	11.57	14.30	17.03	19.77	22.51	25.26	28.01	30.76
5.0	6.24	8.93	11.66	14.42	17.18	19.95	22.72	25.49	28.27	31.05

3. **Hydraulic jump computations for length of jump (L).** The length of a jump is defined as the distance between the point where roller turbulence begins and water becomes white and foamy due to air entrainment, and the point downstream where no return flow is observable.
- a. For rectangular channels, the length of jump (L) for the range of Froude Numbers between two and twenty, based on flow depth, is given by the following equation:

$$L = 6.9 (d_2 - d_1) \tag{Equation 12}$$

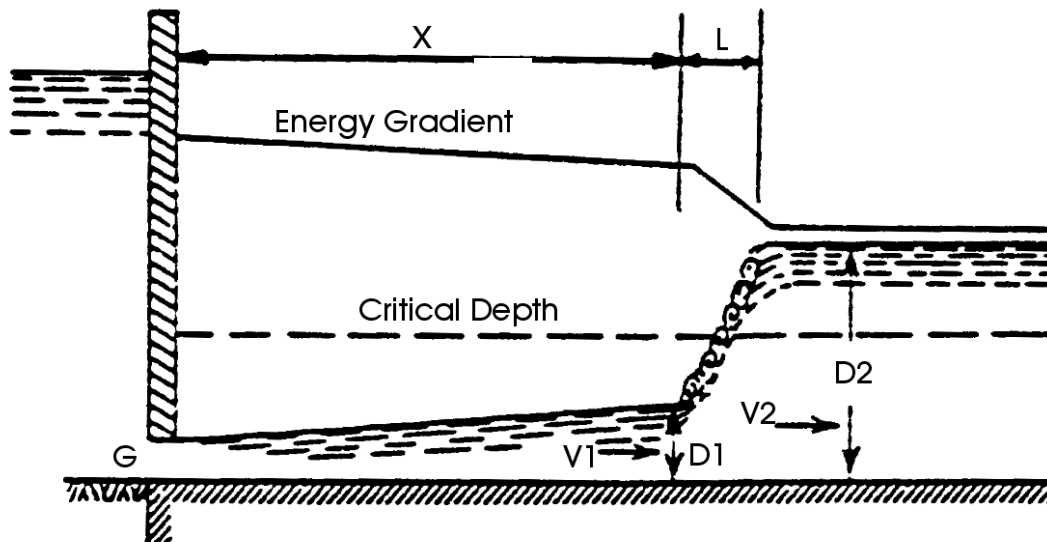
where  $d_1$  and  $d_2$  are the depths calculated in 2F.

- b. For trapezoidal channels, the length of jump (L) is given by the following :

Side Slopes	$L/(d_2 - d_1)$
2:1	44.2
1:1	33.5
½: 1	22.9
Vertical	6.9

4. **Hydraulic jump computations for the position of the jump (x).** Hydraulic jumps can occur only when water flowing below critical stage enters a channel in which flow is normally above critical stage and where all the requirements expressed by the force equation and illustrated in Figure 8 can be fulfilled. In passing through the jump, the flow may change abruptly from non-uniform both before and after the jump. The method of determining the position of the jump for each of these three conditions is discussed in the "Handbook of Hydraulics," 5th and 6th Edition, King & Brater.

Figure 8: Hydraulic Jump Downstream from Gate



## G. Hydraulic jump design example for trapezoidal channel

### 1. Given:

- A trapezoidal channel with a 10 feet wide bottom (b)
- 3:2 side slopes (z)
- flowing at a rate of 200 cfs (Q) and 1.0 foot deep ( $D_1$ )

### 2. Find: Use Table 1 to find the depth, $D_2$ , after the hydraulic jump.

### 3. Steps:

- First, find the area of the upstream cross section:

$$a_1 = (1)(10) + (1)(1.5) = 11.5 \text{ sf}$$

- Calculate the velocity of the flow before the jump:

$$V_1 = \frac{Q}{a_1} = \frac{200}{11.5} = 17.4 \text{ fps}$$

- Find the energy head before the jump:

$$H_1 = D_1 + \frac{V_1^2}{2g} = 1 + \frac{17.4^2}{(2)(32.2)} = 5.7 \text{ ft.}$$

- Find the ratios necessary to use Table 1.

$$z = \frac{e}{D} = \frac{3}{2} = 1.5$$

$$x_1 = \frac{D_1}{H_1} = \frac{1}{5.7} = 0.18$$

- Find:

$$\frac{z_1 H_1}{b} = \frac{(1.5)(5.7)}{10} = 0.86$$

- Enter Table 1 with the values for  $\frac{z_1 H_1}{b} = 0.86$  and  $x_1 = 0.18$ , interpolate and read the value for  $x_2 = 0.64$ .

- Find  $D_2$

$$D_2 = (x_2)(H_1) = (0.64)(5.7) = 3.65'$$

## H. Solution nomographs

1. **General solution nomograph.** The following steps are used for the general solution using the nomograph in Figure 9:
  - a. Determine open-channel data, including slope in feet per feet, hydraulic radius in feet, and Manning's  $n$  value.
  - b. Connect a line between the Manning's  $n$  scale and slope scale and note the point of intersection on the turning line.
  - c. Connect a line from the hydraulic radius to the point of intersection obtained in Step b.
  - d. Extend the line from Step c to the velocity scale to obtain the velocity in feet per second.
  
2. **Trapezoidal solution nomograph.** The trapezoidal channel nomograph solution to Manning's equation in Figure 10 can be used to find the depth of flow if the design discharge is known or the design discharge if the depth of flow is known:
  - a. Determine input data, including slope in feet per feet, Manning's  $n$  value, bottom width in feet, and side slope in feet per feet.
  - b. Given the design discharge, do the following:
    - 1) Find the product of  $Q$  times  $n$ , connect a line from the slope scale to the  $Q_n$  scale, and find the point of intersection on the turning line.
    - 2) Connect a line from the turning point from Step b1 to the  $b$  scale, and find the intersection with the  $z=0$  scale.
    - 3) Project horizontally from the point located in Step b1 to the appropriate  $z$  value, and find the value of  $d/b$ .
    - 4) Multiply the value of  $d/b$  obtained in Step b3 by the bottom width  $b$  to find the depth of uniform flow,  $d$ .
  - c. Given the depth of flow, do the following:
    - 1) Find the ratio  $d$  divided by  $b$ , and project a horizontal line from the  $d/b$  ratio at the appropriate side slope,  $z$ , to the  $z=0$  scale.
    - 2) Connect a line from the point located in Step c1 to the  $b$  scale and find the intersection with the turning line.
    - 3) Connect a line from the point located in Step c2 to the slope scale and find the intersection with the  $Q_n$  scale.
    - 4) Divide the value of  $Q_n$  obtained in Step c3 by the  $n$  value to find the design discharge,  $Q$ .

Figure 9: Nomograph for the Solution of Manning's Equation

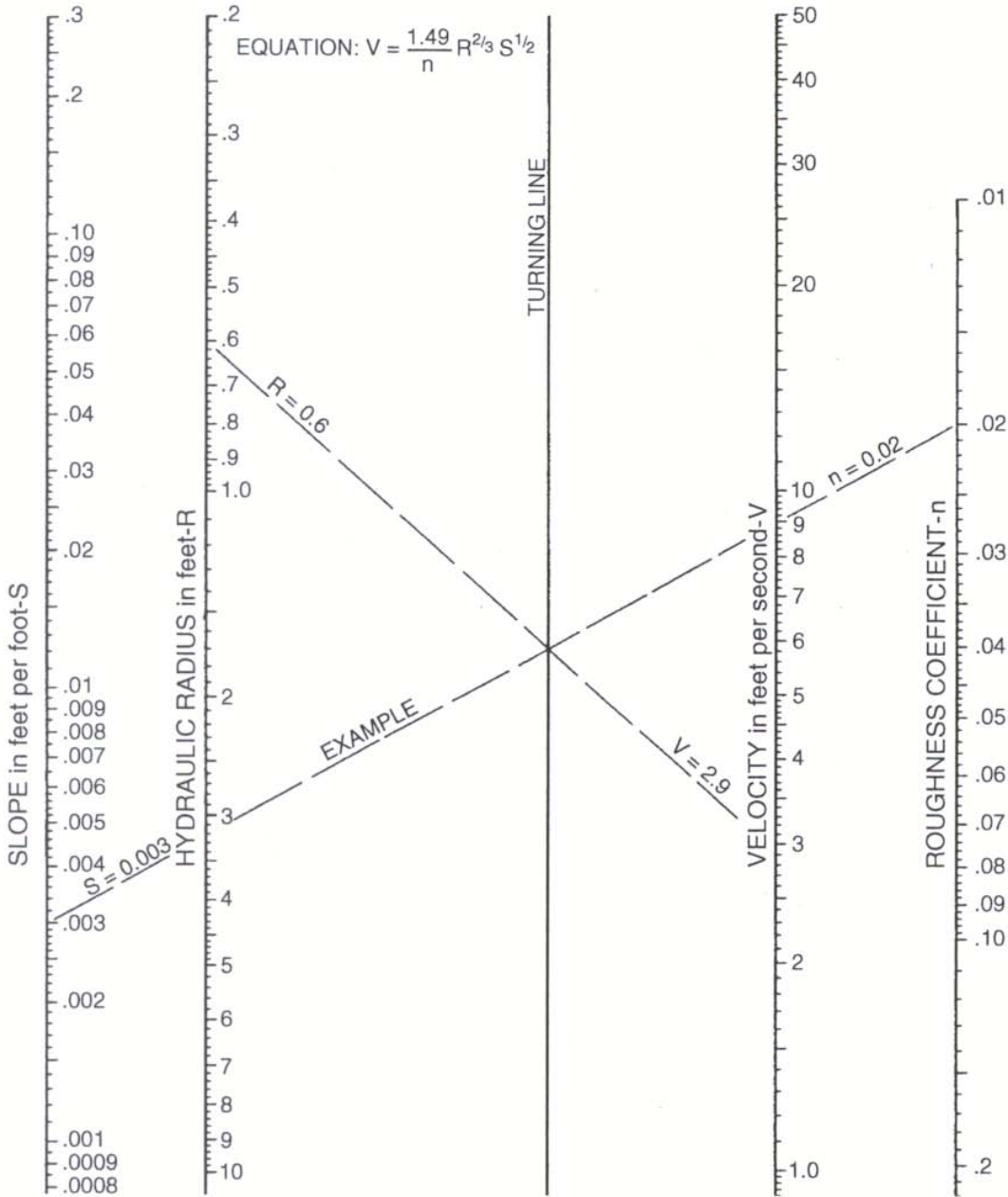
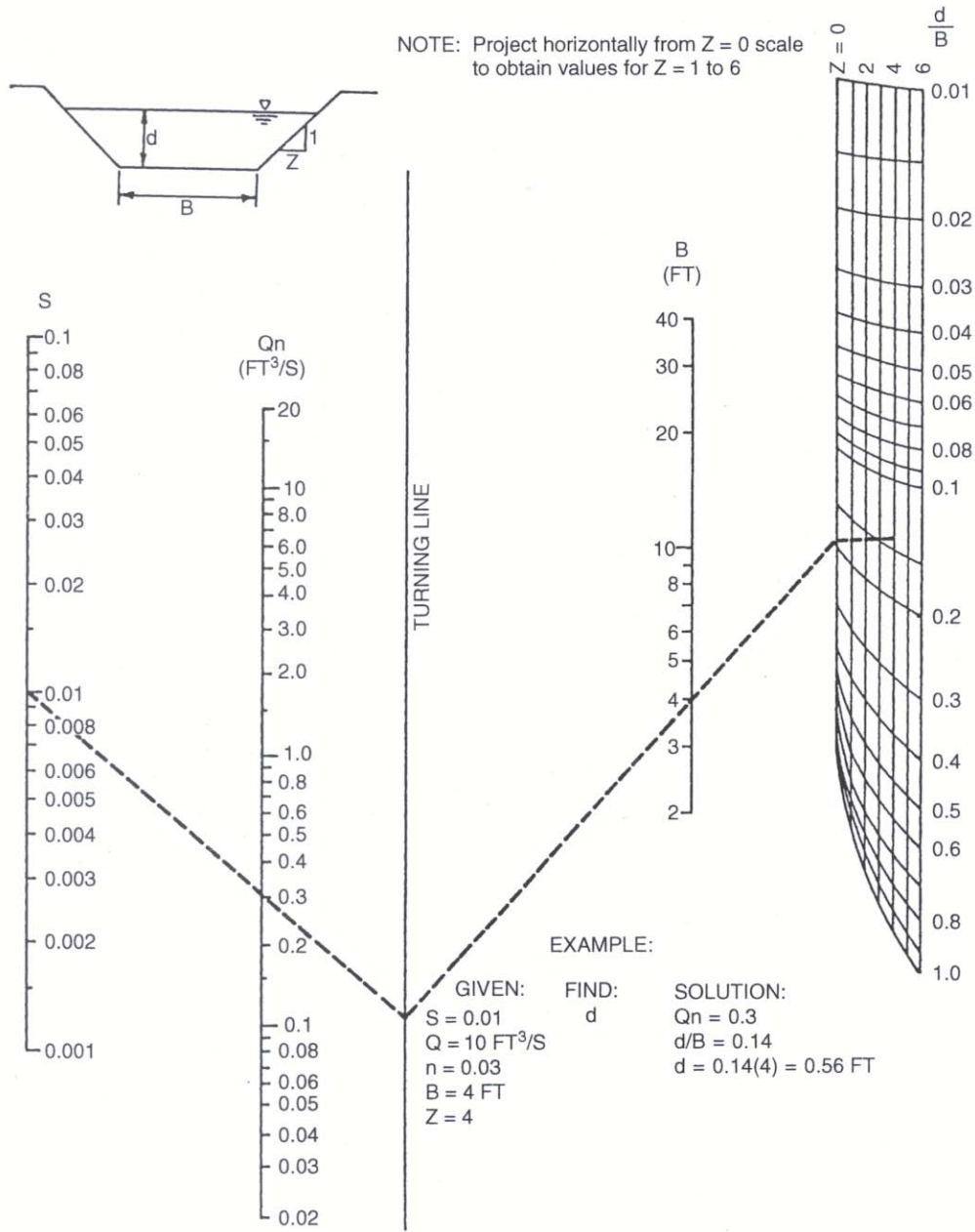


Figure 10: Solution of Manning's Equation for Trapezoidal Channels



**Table 3:** Permissible Velocities for Channels with Erodible Linings, Based on Uniform Flow in Continuously Wet, Aged Channels<sup>2</sup>

Soil type or lining (earth; no vegetation)	Maximum permissible velocities for--		
	Clear Water	Water carrying fine silts	Water carrying sand and gravel
	<i>Fps</i>	<i>Fps</i>	<i>Fps</i>
Fine sand (noncolloidal)	1.5	2.5	1.5
Sandy loam (noncolloidal)	1.7	2.5	2.0
Silt loam (noncolloidal)	2.0	3.0	2.0
Ordinary firm loam	2.5	3.5	2.2
Volcanic ash	2.5	3.5	2.0
Fine gravel	2.5	5.0	3.7
Stiff clay	3.7	5.0	3.0
Graded, loam to cobbles (noncolloidal)	3.7	5.0	5.0
Graded, silt to cobbles (colloidal)	4.0	5.5	5.0
Alluvial silts (noncolloidal)	2.0	3.5	2.0
Alluvial silts (colloidal)	3.7	5.0	3.0
Coarse gravel (noncolloidal)	4.0	6.0	6.5
Cobbles and shingles	5.0	5.5	6.5
Shales and hard pans	6.0	6.0	5.0
Fabric and excelsior mat	7.0	7.0	7.0
Dry riprap/gabions	10.0	10.0	10.0
Concrete pilot channel	Use grass permissible velocity - Table 4		

<sup>2</sup> As recommended by Special Committee on Irrigation Research, American Society of Civil Engineers, 1926.

**Table 4:** Permissible Velocities for Channels Lined with Uniform Stands of Various Grass Covers, Well Maintained<sup>3,4</sup>

Cover	Slope range	Permissible velocity on--	
		Erosion resistant soils	Easily eroded soils
		<i>Fps</i>	<i>Fps</i>
	<i>Percent</i>	<i>Fps</i>	<i>Fps</i>
Bermudagrass .....	0-5	8	6
	5-10	7	5
	Over 10	6	4
Buffalograss .....	0-5	7	5
Kentucky bluegrass .....	5-10	6	4
Smooth brome .....	Over 10	5	3
Blue grama .....			
Grass mixture .....	0-5	5	4
	5-10	4	3
Lespedeza sericea .....			
Weeping lovegrass .....			
Yellow bluestem.....			
Kudzu .....	0-5	3.5	2.5
Alfalfa .....			
Crabgrass.....			
Common lespedeza <sup>5</sup> .....			
Sudangrass <sup>7</sup> .....	0-5 <sup>6</sup>	3.5	2.5

<sup>3</sup> From *Handbook of Channel Design for Soil and Water Conservation*

<sup>4</sup> Use velocities of 5 fps only where good covers and proper maintenance can be obtained.

<sup>5</sup> Annuals, used on mild slopes or as temporary protection until permanent covers are established.

<sup>6</sup> Use on slopes steeper than 5 percent is not recommended.